



PROTECT

combined with active carbon



715648

FH340



CA

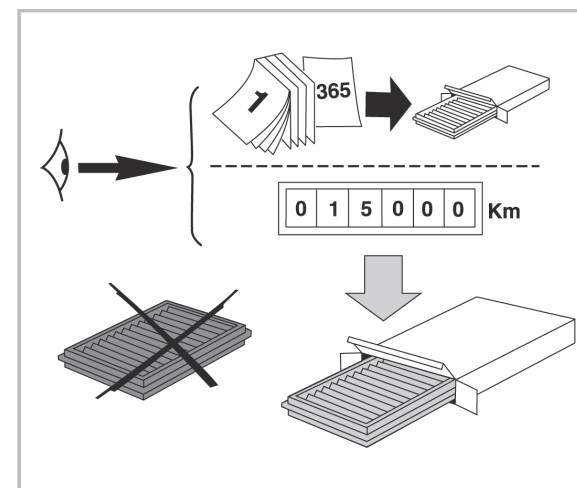
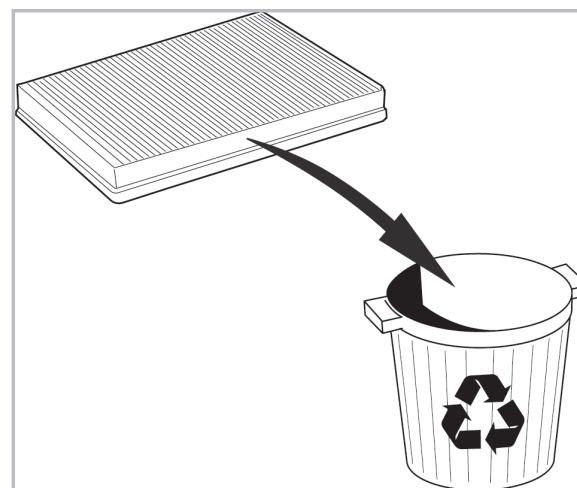
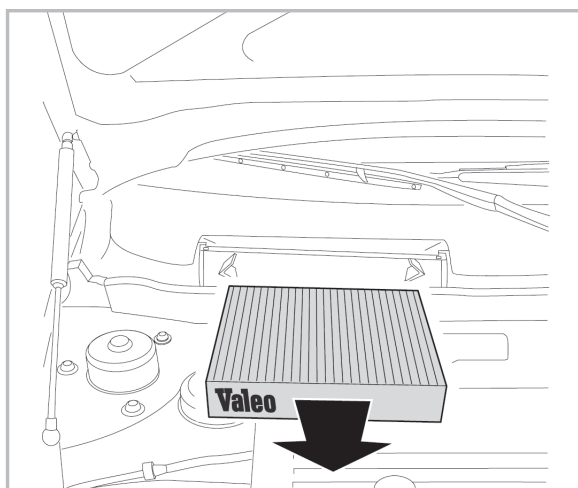
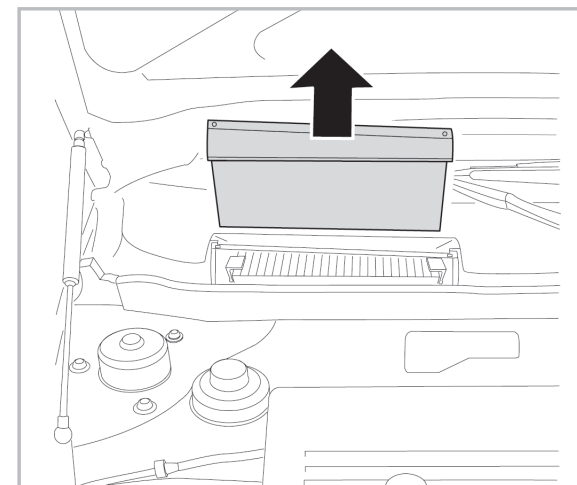
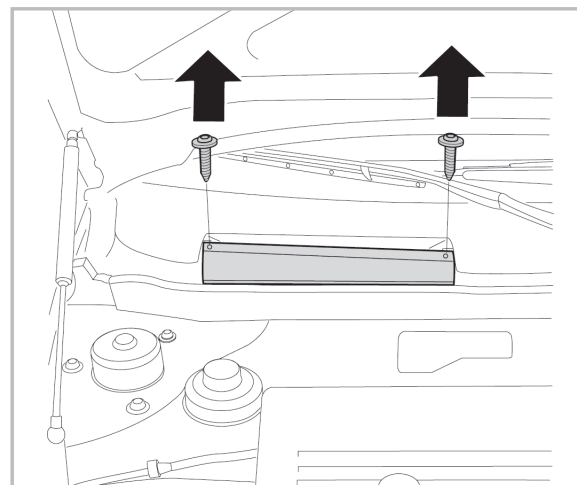
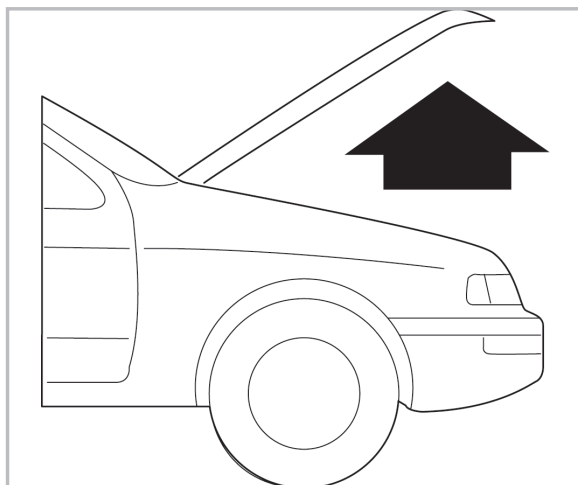
WANT TO KNOW MORE?



www.valeo-techassist.com

FOR
CHRYSLER
DODGE

300C A/C+/- (09/04 >)
MAGNUM A/C+ (09/04 >)



Valeo Service - Société par Actions simplifiée - Capital de 12 900 000€ - 70, rue Playel, 93285 Saint-Denis Cedex - France - B 306 486 408 RCS Bobigny